

## AC-JB05

Junction Box for Camera



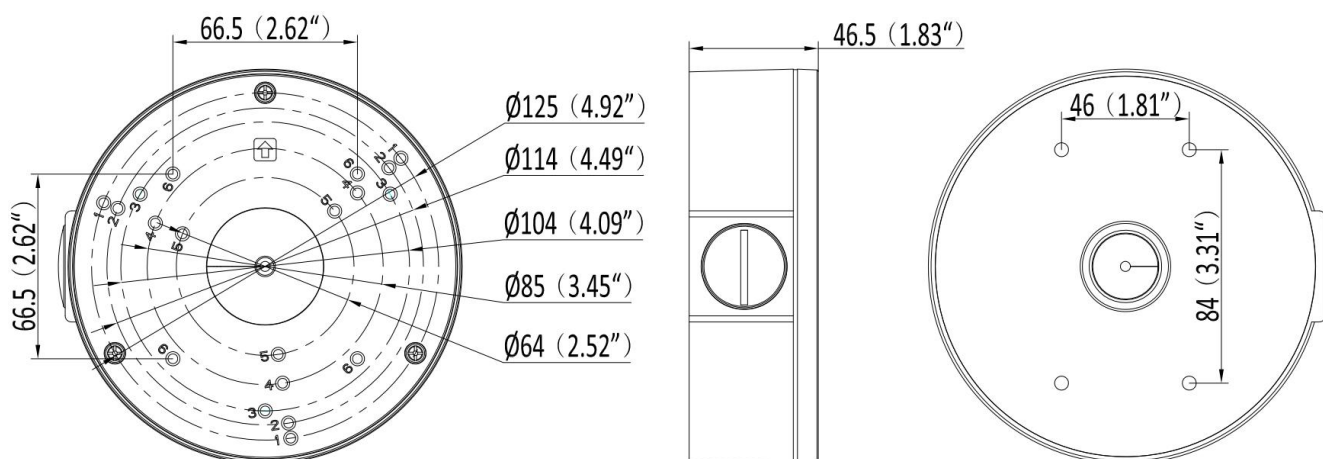
### Key Features

- Waterproof design
- Applies to both indoor and outdoor conditions
- Aluminum alloy with surface spray treatment

### Specification

Parameters	
Appearance	White/Black
Material	Aluminum Alloy
Dimension	Φ 142 × 46.5 mm (Φ 5.6" × 1.83")
Weight	Approx. 490g (1.08 lb.)

### Dimensions



### Available Model

- AC- JB05
- AC- JB05 (B)