

IPC4BF2R4-I1-TMCR

4MP Full Color Fixed Bullet Network Camera



Key Features:

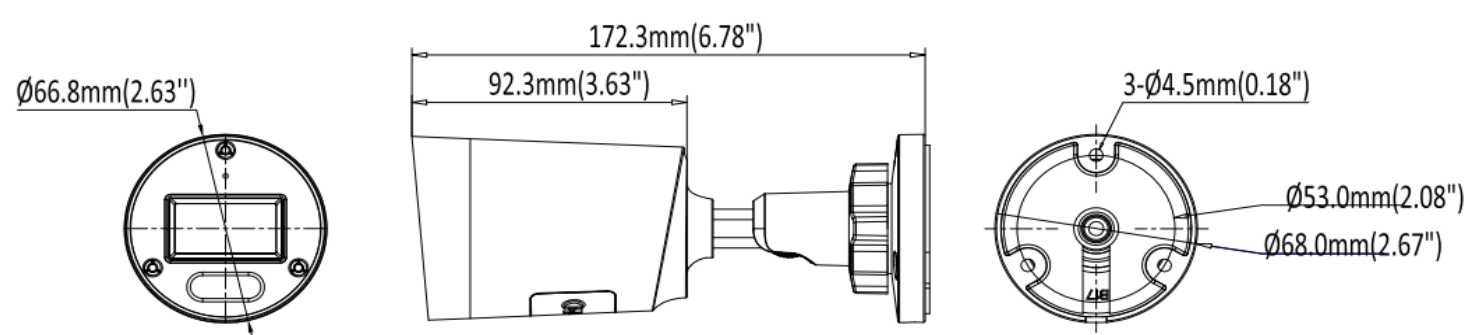
- High quality imaging with 4MP resolution
- Efficient H.265+ compression technology
- Clear imaging against strong backlight due to 120 dB WDR technology
- 24/7 colorful imaging
- Water and dust resistant (IP67)
- Built-in microphone for real-time audio security

■ Specifications

Camera	
Image Sensor	1/2.7" Progressive scan CMOS Sensor
Min. Illumination	0.006 Lux(Color), 0 Lux(with light)
Illumination Distance	98ft (30m <IR light>) 98ft (30m <warm light>)
StrobeLight	N/A
Smart Light	Support
Pan/Tilt/Rotation Range	Pan: 0°~360° Tilt: 0°~90° Rotation: 0°~360°
Lens	
Focal Length	2.8mm
Aperture	F1.6
FOV	2.8mm@F1.6 horizontal FOV: 111°, vertical FOV: 60°diagonal FOV: 132°
Lens Mount	M12
Compression Standard	
Video Compression	H.265/H.265+/H.264/H.264+/MJPEG
H.264 Codec profile	Base/Main/High profile
H.265 Codec profile	Main profile
Video Bit Rate	11 Kbps~8 Mbps
Triple Streams	N/A
Audio Compression	G.711A, G711U
Audio Bit Rate	64 Kbps
Image	
Max. Image Resolution	4MP(2688 × 1520)
Main Stream	50Hz: 20fps 4M(2688 × 1520) 25fps 4M(2560 × 1440) 25fps 1080P(1920 × 1080) 60Hz: 20fps 4M(2688 × 1520) 30fps 4M(2560 × 1440) 30fps 1080P(1920 × 1080)
Sub Stream	50Hz: 25fps 720P(1280 × 720) 25fps D1(704 × 576), 25fps CIF(352 × 288) 60Hz: 30fps 720P(1280 × 720) 30fps D1(704 × 480), 30fps CIF(352 × 240)
Third Stream	N/A
Image Setting	Brightness/Contrast/Saturation/Hue/Sharpness
Shutter Time	Auto/Manual, 1/3~1/100000s
Day/Night	IR cut filter with auto switch
Wide Dynamic Range	120dB
Digital noise reduction	2D/3D DNR
BLC	Support
HLC	Support
ROI	Support
Rotate	Support
Smart Feature	
Basic Event	Motion detection (human and vehicle targets classification), Video Shelter
Smart Event	Line crossing, intrusion, region entrance, region exiting (support alarm triggering by specified target types (human and vehicle))
Face Detection	N/A
Network	
Network Storage	NAS (NFS, SMB/CIFS), ANR
Protocols	TCP/IP, ICMP, HTTP, HTTPS, FTP, DHCP, DNS, DDNS, RTP, RTSP, RTCP, NTP, IGMP, UPnP, SMTP, UPnP-TM,
System compatibility	Onvif(Profile S, Profile G, T), SDK
Security	Password protection, complicated password, HTTPS encryption, IP address filter, basic and digest authentication for HTTP/HTTPS, TLS 1.1/1.2, WSSE and digest authentication for Open Network Video Interface
Web Browsers	Plug-in required live view: IE 10, IE 11 Local service: Chrome 57.0+, Firefox 52.0+
User	Up to 10 users
Mobile Surveillance	iOS, Android

Interface	
Communication interface	1 RJ45 10 M/100 M self-adaptive Ethernet port
On-board storage	up to 256GB
MIC	Support
Speaker	N/A
Audio I/O	N/A
Alarm I/O	N/A
Reset button	Support
General	
Operating Conditions	-40°F ~ 140°F(-40°C ~ 60°C) Humidity 95% or less (non-condensing)
Power Supply	DC12V ± 25%
POE	PoE (802.3af)
Power Consumption	MAX.6.3W
Protection Level	IP67
Material	Metal
Dimensions	Φ 2.63" × 6.78" (68 × 172.3 mm)
Gross Weight	500g

■ Dimensions



■ Related Accessories

Junction Box, 145*145*53.5MM LB01B	Junction Box, non waterproof, Φ 102*40MM LB02	Junction Box, Φ 112.5*49.5MM AC-JB02	Pole Mount AC-PM02	Pendent Mount AC-CMB02

© Homaxi Inc. All rights reserved.

*Product specifications are subject to change without notice.