

## IPC4TF4R8-I1-TMCR



### 8MP Smart Dual Illumination Fixed Turret Network Camera

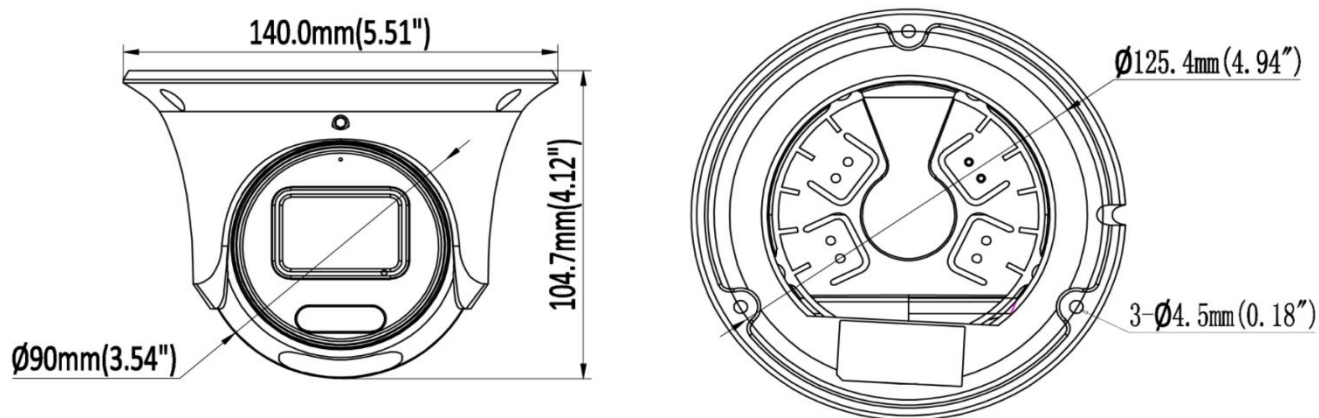
With advanced deep learning algorithm, Homaxi S Series network camera supports intelligent functions, such as perimeter protection and smart motion detection. With Smart Dual Illumination technology, the camera records the full-color video and information of key events and reduces light pollution efficiently when the target is out of the monitoring area.



### Key Features

- High quality imaging with 8MP resolution
- Efficient H.265+ compression technology
- Clear imaging against strong backlight due to 120 dB WDR technology
- 24/7 colorful imaging
- Water and dust resistant (IP67)
- Built-in microphone for real-time audio security

### Dimensions



## Specification

| Camera                  |  |
|-------------------------|--|
| Image Sensor            | 1/2.8" Progressive Scan CMOS Sensor  |
| Min. Illumination       | Color: 0.006 Lux (F1.6, AGC ON) , 0 Lux with light   |
| Illumination Distance   | 30m (IR light)<br>30m (Warm light)   |
| Strobe Light            | N/A  |
| Smart IR                | Support  |
| Pan/Tilt/Rotation Range | Pan: 0° ~ 360°<br>Tilt: 0° ~ 75°<br>Rotation: 0° ~ 360°  |
| Lens                    |  |
| Focal Length            | 2.8 mm   |
| Aperture                | F1.6   |
| FOV                     | 2.8 mm @ F1.6 Horizontal FOV: 106°, Vertical FOV: 58°, Diagonal FOV: 125°  |
| Lens Mount              | M12  |
| DORI                    |  |
| DORI                    | 2.8 mm, D: 88 m, O: 34.7 m, R: 17.4 m, I: 8.7 m  |
| Compression Standard    |  |
| Video Compression       | H.264/H.264+/H.265/H.265+/MJPEG  |
| H.264 Codec Profile     | Base/Main/High profile   |
| H.265 Codec Profile     | Main Profile   |
| Video Bit Rate          | 11 Kbps ~ 11Mbps   |
| Triple Streams          | N/A  |
| Audio Compression       | G.711A, G.711U   |
| Audio Bit Rate          | 64 Kbps  |
| Image                   |  |
| Max. Image Resolution   | 8MP (3840 × 2160)  |
| Main Stream             | 50Hz: 20fps 8MP (3840 × 2160) ,<br>20fps 6MP (3200 × 1800) , 25fps 5MP (3072 × 1728)<br>25fps 4MP (2560 × 1440) , 25fps 1080P (1920 × 1080)<br>60Hz: 20fps 8MP (3840 × 2160) ,<br>20fps 6MP (3200 × 1800) , 30fps 5MP (3072 × 1728)<br>30fps 4MP (2560 × 1440) , 30fps 1080P (1920 × 1080) |
| Sub Stream              | 50Hz: 25fps 720P (1280 × 720)<br>25fps D1 (704 × 576) , 25fps CIF (352 × 288) ( Default D1 )<br>60Hz: 30fps 720P (1280 × 720)<br>30fps D1 (704 × 480) , 30fps CIF (352 × 240)  |

|                         |  |
|-------------------------|--|
| Third Stream            | N/A  |
| Image Setting           | Brightness/Contrast/Saturation/Hue/Sharpness   |
| Shutter Time            | Auto/Manual, 1/3~1/100000s   |
| Day/Night               | IR cut filter  |
| Wide Dynamic Range      | 120 dB   |
| Digital Noise Reduction | 2D/3D DNR  |
| BLC                     | Support  |
| HLC                     | Support  |
| ROI                     | Support  |
| Rotate                  | Support  |
| <b>Smart Feature</b>    |  |
| Basic Event             | Motion detection, video tampering  |
| Smart Event             | Smart motion detection, line crossing detection, intrusion detection (human and vehicle targets classification)  |
| Face Detection          | N/A  |
| <b>Network</b>          |  |
| Network Storage         | NAS (NFS, SMB/CIFS) , ANR  |
| Protocols               | TCP/IP, ICMP, HTTP, HTTPS, FTP, DHCP, DNS, DDNS, RTP, RTSP, RTCP, NTP, IGMP, UPnP, SMTP, UPnP-TM, P2P  |
| System Compatibility    | Onvif (Profile S, Profile G, T), SDK   |
| Security                | Password protection, complicated password, HTTPS encryption, IP address filter, basic and digest authentication for HTTP/HTTPS, TLS 1.1/1.2, WSSE and digest authentication for Open Network Video Interface |
| User                    | Up to 10 users   |
| Web Browsers            | Plug-in required live view: IE 10, IE 11<br>Local service: Chrome 57.0+, Firefox 52.0+   |
| Mobile Surveillance     | IPhone, Android devices  |
| <b>Interface</b>        |  |
| Communication Interface | 1 RJ45 10 M/100 M self-adaptive Ethernet port  |
| On-board Storage        | Up to 256GB  |
| MIC                     | Support  |
| Speaker                 | N/A  |
| Audio I/O               | N/A  |
| Alarm I/O               | N/A  |
| Reset Button            | Support  |
| <b>General</b>          |  |
| Operating Conditions    | (-40°C ~ 60°C) (-40°F ~ 140°F)<br>Humidity 95% or less (non-condensing)  |

|                   |                                    |
|-------------------|------------------------------------|
| Power Supply      | DC12V ± 25%                        |
| POE               | PoE (802.3 af)                     |
| Power Consumption | MAX. 8.3 W                         |
| Protection Level  | IP67                               |
| Material          | Metal                              |
| Dimensions        | Φ 5.51" × 4.12" (Φ 140 × 104.7 mm) |
| Gross Weight      | 1.76 lb (800 g)                    |

## Related Accessories

| AC-JB05   | AC-WM05   | AC-PM03  | AC-CMB02  |
|---|---|--|---|
| Junction Box, Φ 142 × 46.5 MM   | Wall Mount, Φ136 × 120 × 208 MM   | Pole Mount, Φ 170 × 135.8 × 43.7 MM  | Pendant Mount, Φ 116 × 734.5 MM   |
|  |  |  |  |

Please select accessories according to the installation scenario:

