

## IPC8BV8R4-I2-TPMCZ

### 4MP Full Color Motorized Bullet Network Camera



#### Key Features:

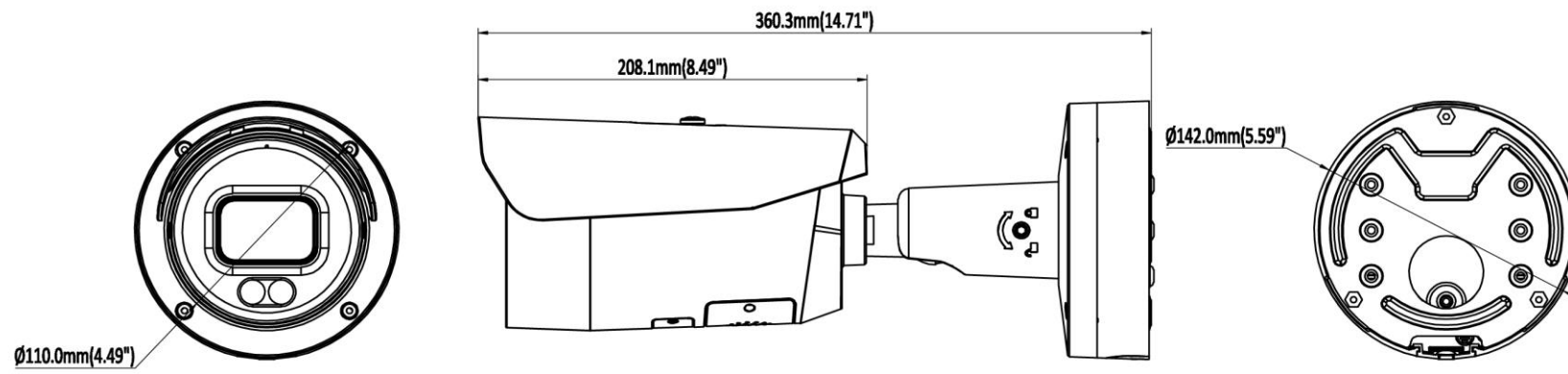
- High quality imaging with 4MP resolution
- Motorized varifocal lens for easy installation and monitoring
- Efficient H.265+ compression technology
- Clear imaging against strong backlight due to 130dB WDR technology
- 24/7 colorful imaging
- Water and dust resistant (IP67)
- Built-in microphone, audio and alarm interface available
- NDAA Compliant

#### ■ Specifications

Camera	
Image Sensor	1/1.8" Progressive scan CMOS Sensor
Min. Illumination	0.0005 Lux(Color), 0 Lux with Light
Lens Type&Focal Length	motorized Varifocal lens, 2.8~12mm F1.0
FOV	horizontal FOV: 105°~56°, vertical FOV: 54°~31°, diagonal FOV: 131°~65°
LED	4pcs Warm LED
Warm light Range	196ft(60m <warm light>)
Shutter Time	Auto/Manual, 1/3~1/100000s
Day/Night	24/7 color imaging
Wide Dynamic Range	130dB
Digital noise reduction	2D/3D DNR
Compression Standard	
Video Compression	H.264/H.264+/H.265/H.265+/MJPEG
H.264 Codec profile	Base/Main/High profile
H.265 Codec profile	Main profile
Video Bit Rate	11 Kbps~10Mbps
Triple Streams	Support
Audio Compression	G.711A/G.711U
Audio Bit Rate	64 Kbps
Image	
Max. Image Resolution	4M(2688 × 1520)
Frame Rate	50Hz: 25fps 4M(2688 × 1520) 25fps 4M(2560 × 1440) 25fps 1080P(1920 × 1080) 60Hz: 30fps 4M(2688 × 1520) 30fps 4M(2560 × 1440) 30fps 1080P(1920 × 1080)
Sub Stream	50Hz: 25fps 720P(1280 × 720) 25fps D1(704 × 576), 25fps CIF(352 × 288) 60Hz: 30fps 720P(1280 × 720) 30fps D1(704 × 480), 30fps CIF(352 × 240)
Third Stream	50Hz: 25fps CIF(352 × 288) 60Hz: 30fps CIF(352 × 240)
Image Setting	Brightness/Contrast/Saturation/Hue/Sharpness
BLC	Support
HLC	Support
ROI	Support
Defog	Support
Rotate	Support
Network	
Network Storage	NAS (NFS, SMB/CIFS), ANR
Protocols	TCP/IP, ICMP, HTTP, HTTPS, FTP, DHCP, DNS, DDNS, RTP, RTSP, RTCP, NTP, IGMP, UPnP, SMTP, UPnP-TM, P2P
Basic Event	Motion detection (support alarm triggering by specified target types (human and vehicle)), Video Shelter
Face Detection	Support
Perimeter Protection	Line crossing detection, Area intrusion, Region Entrance, Region Exiting(support alarm triggering by specified target types (human and vehicle))
System compatibility	Onvif(Profile S, Profile G, T), SDK
Security	Password protection, complicated password, HTTPS encryption, IP address filter, basic and digest authentication for HTTP/HTTPS, TLS 1.1/1.2, WSSE and digest authentication for Open Network Video Interface
Web Browsers	Plug-in required live view: IE 10, IE 11 Local service: Chrome 57.0+, Firefox 52.0+
Mobile Surveillance	iPhone, Android devices
Interface	
Communication interface	1 RJ45 10M/100M self-adaptive Ethernet port
On-board storage	Micro SD, up to 256GB
Audio I/O	1/1
Built-in Mic	Support
Alarm I/O	1/1
Reset button	Support

General	
Operating Conditions	-40°F ~ 140°F ( -40°C ~ 60°C) Humidity 95% or less (non-condensing)
Power Supply	DC12V ± 25%
POE Supply	PoE (802.3at)
Power Consumption	MAX. 12.5W
Weather Proof	IP67/IK10
Vandalproof	Metal
Dimensions	Φ5.59" × 14.71" (142 × 360.3mm)
Weight	2750g

## ■ Dimensions



©Homaxi Inc. All rights reserved.

\*Product specifications are subject to change without notice.