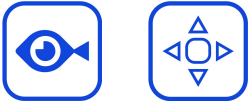


IPC8FE1R6-I2-TPMS

6MP Fisheye Camera

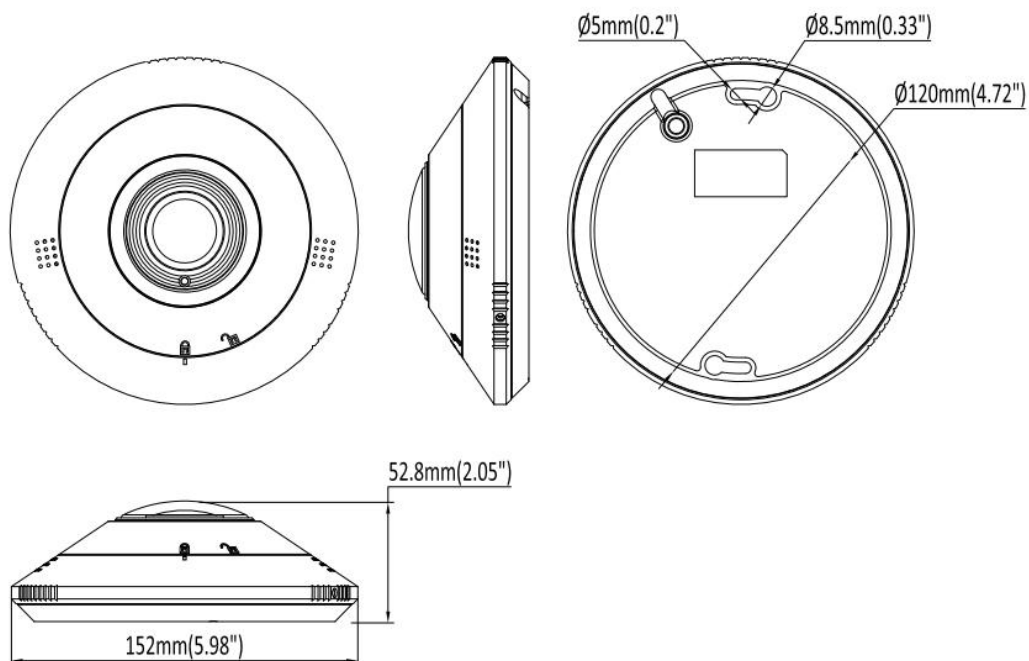
Homaxi fisheye cameras provide a 360-degree view across all areas from a single vantage point. This easy-to-install solution delivers superior situational awareness free from any blindspots.



Key Features

- High quality imaging with 6MP resolution
- Efficient H.265+ compression technology
- Built-in microphone and speaker for real-time audio security
- Multiple dewarp modes
- Water and dust resistant (IP66)
- NDAA Compliant

Dimensions



Specification

Camera		
Image Sensor	1/2.5" Progressive Scan CMOS Sensor	
Min. Illumination	0.008 lux (Color), 0 Lux (IR on)	
Illumination Distance	20m (IR light)	
Strobe Light	N/A	
Smart IR	Support	
Shutter Time	Auto/Manual, 1/3 ~ 1/100000 s	
Pan/Tilt/Rotation Range	N/A	
Day/Night	IR cut filter	
Wide Dynamic Range	DWDR	
Digital Noise Reduction	3D DNR	
Lens		
Focal Length	1.68 mm	
Aperture	F2.0	
FOV	1.68 mm @ F2.0, 180°	
Lens Mount	M12	
DORI		
DORI	1.68 mm, D: 33 m, O: 13 m, R: 6.5 m, I: 3.3 m	
Compression Standard		
Video Compression	H.264/H.264+/H.265/H.265+/MJPEG	
H.264 Codec Profile	Base/Main/High profile	
H.265 Codec Profile	Main profile	
Video Bit Rate	11 Kbps ~ 10 Mbps	
Triple Streams	N/A	
Audio Compression	G.711A, G.711U	
Audio Bit Rate	64 Kbps	
Image		
Max. Image Resolution	2560 × 2560	
Main Stream	Fisheye	50HZ: 25fps (2560 × 2560, 1920 × 1920) 60HZ: 30fps (2560 × 2560, 1920 × 1920)
	Panoramic	50HZ: 15fps (1920 × 1080, 1280 × 720) 60HZ: 15fps (1920 × 1080, 1280 × 720)
	4 PTZ	50HZ: 15fps (1024 × 768) 60HZ: 15fps (1024 × 768)

	Fisheye + Panoramic + 3 PTZ	50HZ: 25fps (1920 × 1920) +15fps (1920 × 1080) + 15fps (1024 × 768) *3 60HZ: 30fps (1920 × 1920) +15fps (1920 × 1080) + 15fps (1024 × 768) *3
	Fisheye + 4 PTZ	50HZ: 25fps (1920 × 1920) + 15fps (1024 × 768) *4 60HZ: 30fps (1920 × 1920) + 15fps (1024 × 768) *4
	Panoramic + 4 PTZ	50HZ: 15fps (1920 × 1080, 1280 × 720) + 15fps (1024 × 768) *4 60HZ: 15fps (1920 × 1080, 1280 × 720) + 15fps (1024 × 768) *4
Sub Stream	Fisheye	50HZ: 25fps (960 × 960, 480 × 480) 60HZ: 30fps (960 × 960, 480 × 480)
	Panoramic	50HZ: 15fps (704 × 576, 352 × 288) 60HZ: 15fps (704 × 480, 352 × 240)
	4 PTZ	50HZ: 15pfs (640 × 480) 60HZ: 15pfs (640 × 480)
	Fisheye + Panoramic + 3 PTZ	50HZ: 25fps (960 × 960, 480 × 480) +15fps (704 × 576) + 15fps (640 × 480) *3 60HZ: 30fps (960 × 960, 480 × 480) +15fps (704 × 480) + 15fps (640 × 480) *3
	Fisheye + 4 PTZ	50HZ: 15fps (960 × 960, 480 × 480) + 15fps (640 × 480) *4 60HZ: 15fps (960 × 960, 480 × 480) + 15fps (640 × 480) *4
	Panoramic + 4 PTZ	50HZ: 15fps (704 × 576 , 352 × 288) + 15fps (640 × 480) *4 60HZ: 15fps (704 × 480 , 352 × 240) + 15fps (640 × 480) *4
Third Stream	N/A	
Image Setting	Brightness/Contrast/Saturation/Hue/Sharpness	
BLC	Support	
HLC	Support	
ROI	Support	
Smart Feature		
Basic Event	Motion detection, Video Shelter	
Smart Event	Line crossing detection, Area intrusion, Region Entrance, Region Exiting	
Network		
Network Storage	NAS (NFS, SMB/CIFS)	
Protocols	TCP/IP, ICMP, HTTP, HTTPS, FTP, DHCP, DNS, DDNS, RTP, RTSP, RTCP, NTP, IGMP, UPnP, SMTP, UPnP-TM, P2P	
System Compatibility	Onvif (Profile S, G,T), CGI, SDK	
Security	Password protection, complicated password, HTTPS encryption, IP address filter, basic and digest authentication for HTTP/HTTPS, TLS 1.1,1.2, WSSE and digest authentication for Open Network Video Interface	
User	Up to 40 users	
Web Browsers	Plug-in required live view: IE 10, IE 11 Local service: Chrome 57.0+, Firefox 52.0+	
Mobile Surveillance	IOS, Android	
Interface		
Communication Interface	1 RJ45 10 M/100 M self-adaptive Ethernet port	
On-board Storage	Up to 256 GB	

MIC	Support
Speaker	Support
Audio I/O	1/1
Alarm I/O	1/1
Reset Button	Support
General	
Operating Conditions	(-40°C ~ 60°C) (-40°F ~ 140°F) Humidity 95% or less (non-condensing)
Power Supply	DC 12 V ± 25%
POE	PoE (802.3 af)
Power Consumption	MAX.9 W
Protection Level	IP66
Material	Metal
Dimensions	Φ 5.98" × 2.08" (152 mm × 53 mm)
Gross Weight	1.59 lb (724 g)