

# UVC6BF2T

## 8MP WDR Fixed Bullet Camera

### Key Features:



- 8MP WDR Fixed Bullet Camera
- WDR, 2D/3D DNR
- 2.8mm, 3.6mm Fixed lens
- 98ft(30m) IR distance
- Water and dust resistant (IP67)
- 4 in 1 (4 signals switchable TVI/AHD/CVI/CVBS)

### ■ Specifications

Camera	
Image Sensor	1/2.8" CMOS Sensor
Signal System	PAL/NTSC
Effective Pixels	3840 (H) × 2160 (V)
Electronic Shutter	AUTO/ 1/50(1/60) - 1/50,000sec
Min. Illumination	0.1 Lux@(F1.2, AGC ON), 0 Lux with IR
Video Frame Rate	PAL/NTSC: 8MP@15fps
Video Output	AHD / TVI / CVI / CVBS
Camera Features	
S/N Ratio	≥50dB
Noise Reduction	2D/3D DNR
Day & Night	EXT/Auto/Color/B&W
White Balance	ATW
WDR	WDR
IR LED	2pcs Array LED
IR Range	98ft(30m)
Lens	
Focal Length	2.8mm/3.6mm Fixed Lens
Angle of View	2.8mm: Horizontal FOV: 109°, Vertical FOV: 63°, Diagonal FOV: 125° 3.6mm: Horizontal FOV: 92°, Vertical FOV: 51°, Diagonal FOV: 105°
Lens Type	Fixed Iris
Mount Type	M12
General	
IP Rating	IP67
Housing Material	Metal
Power Supply	DC12V (±10%)
Power Consumption	<10W

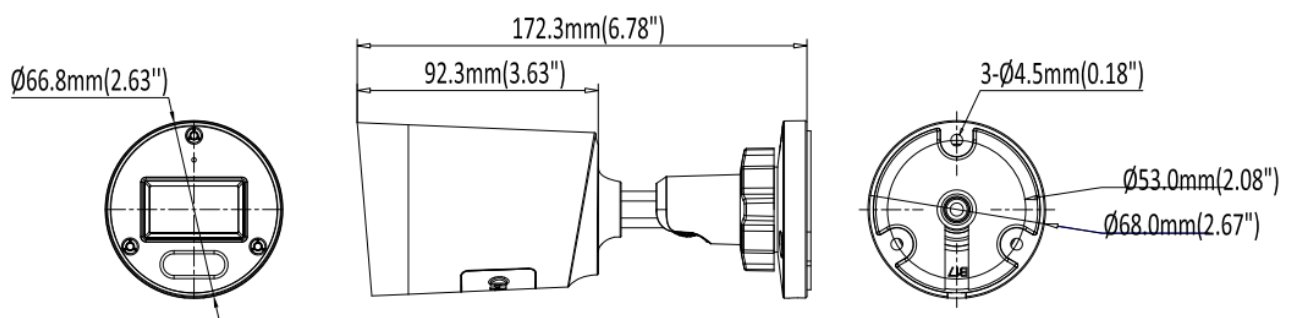
Working Temperature / Humidity	-40°F ~ 140°F (-40°C ~ 60°C) Humidity 95% or less (non-condensing)
Dimensions	Φ2.67" × 6.78" (68 × 172.3 mm)
Weight	400g

## ■ Available Model

UVC6BF2T (2.8mm)

UVC6BF2T (3.6mm)

## ■ Dimensions



## ■ Related Accessories

Junction Box, 145.2x145.2x53.5mm, <b>LB01B</b>	Junction Box, non-waterproof, Φ102*40mm, <b>LB02</b>	Junction Box, Φ112.5*49.5mm, <b>AC-JB02</b>
Junction Box, Φ112.5*50.4mm, <b>LB10+Plate</b>		