

UVC6BF2U

5MP Fixed Bullet Camera

Key Features:



- 5 MP Fixed Bullet camera
- D-WDR, 2DNR
- 2.8mm, 3.6mm Fixed lens
- 98ft(30m) IR distance
- Water and dust resistant (IP67)
- 4 in 1 (4 signals switchable TVI/AHD/CVI/CVBS)

■ Specifications

Camera	
Image Sensor	1/2.7" CMOS Sensor
Signal System	PAL/NTSC
Effective Pixels	2592 (H) × 1944 (V)
Electronic Shutter	AUTO/ 1/50(1/60)-1/50,000sec
Min. Illumination	0.01 Lux@(F1.2, AGC ON), 0 Lux with IR
Video Frame Rate	PAL/NTSC: 5MP@20fps
Video Output	AHD/TVI/CVI/CVBS
Camera Features	
S/N Ratio	≥50dB
Noise Reduction	2D DNR
Day&Night	EXT/Auto/Color/B&W
White Balance	ATW/Manual
WDR	D-WDR
IR LED	2pcs Array LED
IR Range	98ft(30m)
Lens	
Focal Length	2.8mm /3.6mm Fixed Lens
Angle of View	2.8mm: Horizontal FOV: 100°, Vertical FOV: 54°, Diagonal FOV: 114° 3.6mm: Horizontal FOV: 90°, Vertical FOV: 47°, Diagonal FOV: 102°
Lens Type	Fixed Iris
Mount Type	M12
General	
IP Rating	IP67
Housing Material	Metal
Power Supply	DC12V (±10%)

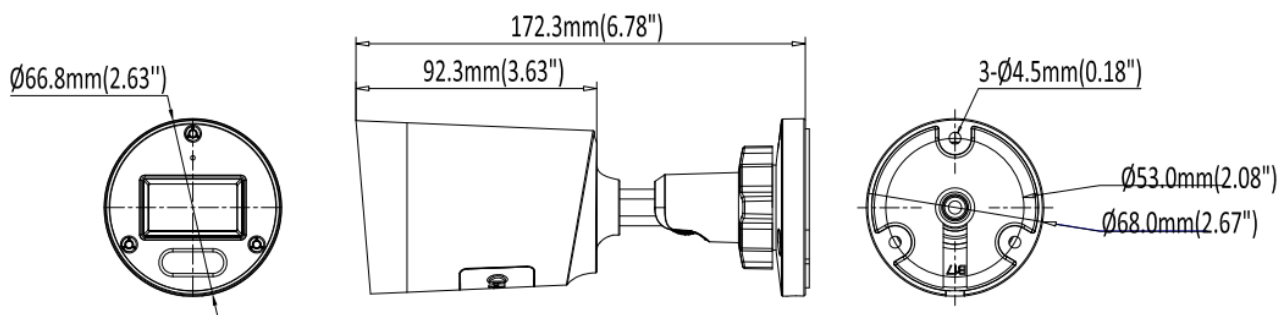
Power Consumption	<8W
Working Temperature / Humidity	-40°F ~ 140°F (-40°C ~ 60°C) Humidity 95% or less (non-condensing)
Dimensions	Φ2.67" × 6.78" (68 × 172.3mm)
Weight	400g

■ Available Models

UVC6BF2U (2.8mm)

UVC6BF2U (3.6mm)

■ Dimensions



■ Related Accessories

Junction Box, non-waterproof, Φ 102 × 40MM, LB02	Junction Box, Φ 112.5 × 49.5MM, AC-JB02	Junction Box, Φ 112.5 × 49.5MM, LB10+Plate

© Homaxi Inc. All rights reserved.

*Product specifications are subject to change without notice.