

UVC6TV1T-Z

8MP WDR Motorized Turret Camera



Key Features:

- 8MP WDR Motorized Turret Camera
- WDR, 2D/3D DNR
- 2.7 mm–13.5 mm motorized lens
- 196ft(60m) IR distance
- Water and dust resistant (IP67)
- 4 in 1 (4 signals switchable TVI/AHD/CVI/CVBS)

■ Specifications

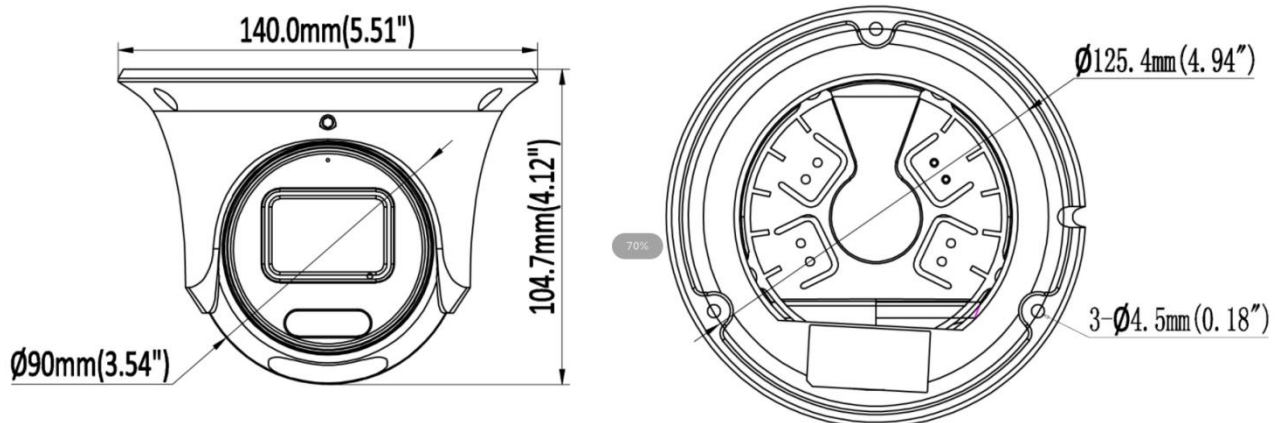
Camera	
Image Sensor	1/2.8" CMOS Sensor
Signal System	PAL/NTSC
Effective Pixels	3840 (H) × 2160 (V)
Electronic Shutter	AUTO/ 1/50(1/60) -1/50,000sec
Min. Illumination	0.01 Lux@(F1.2, AGC ON), 0 Lux with IR
Video Frame Rate	PAL/NTSC: 8MP@15fps
Video Output	AHD/TVI/CVI/CVBS
Camera Features	
S/N Ratio	≥50dB
Noise Reduction	2D/3D DNR
Day&Night	EXT/Auto/Color/B&W
White Balance	AWB
WDR	WDR
IR LED	4pcs Array LED
IR Range	196ft(60m)
Lens	
Focal Length	2.7-13.5 Motorized Lens
Angle of View	Horizontal FOV: 112~34°,Vertical FOV: 60~22°, Diagonal FOV: 127~40°
Lens Type	Fixed Iris
Mount Type	φ14
General	
IP Rating	IP67
Housing Material	Metal

Power Supply	DC12V (±10%)
Power Consumption	<14W
Working Temperature / Humidity	-40°F ~ 140°F (-40°C ~ 60°C) Humidity 95% or less (non-condensing)
Dimensions	Φ5.51" × 4.12" (140 × 104.7 mm)
Weight	620g

■ Available Model

UVC6TV1T-Z (2.7-13.5mm)

■ Dimensions



■ Related Accessories

Junction Box, 145.2x145.2x53.5mm, LB01B	Junction Box, Φ142x46.5 mm, AC-JB04

©Homaxi Inc. All rights reserved.

*Product specifications are subject to change without notice.